

*DETAILS SHOWN ARE FOR PROMOTIONAL USE ONLY.
THESE DETAILS SHOULD NOT FOR ANY REASON BE
USED FOR CONSTRUCTION PURPOSES.

**MIDWEST
PANL**

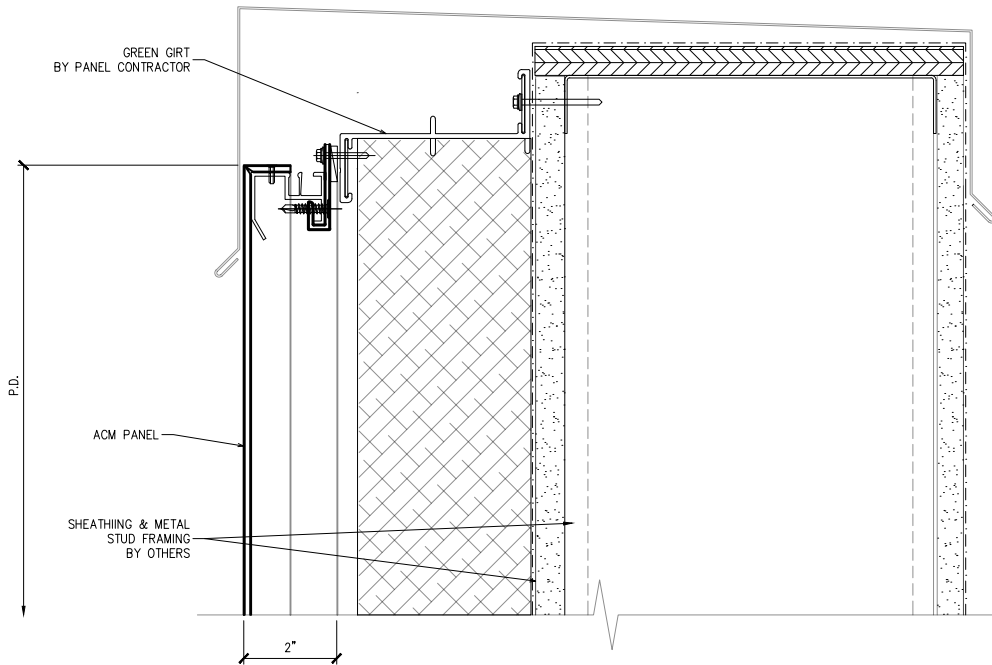
N30W22383 GREEN RD. WAUKESHA, WI 53186
(Phone) 414-763-0069

Building Isometric for detail reference

ACM w/ SMARTci Green Girt

DETAIL No.

0



*DETAILS SHOWN ARE FOR PROMOTIONAL USE ONLY.
 THESE DETAILS SHOULD NOT FOR ANY REASON BE
 USED FOR CONSTRUCTION PURPOSES.

**MIDWEST
 PANEL**

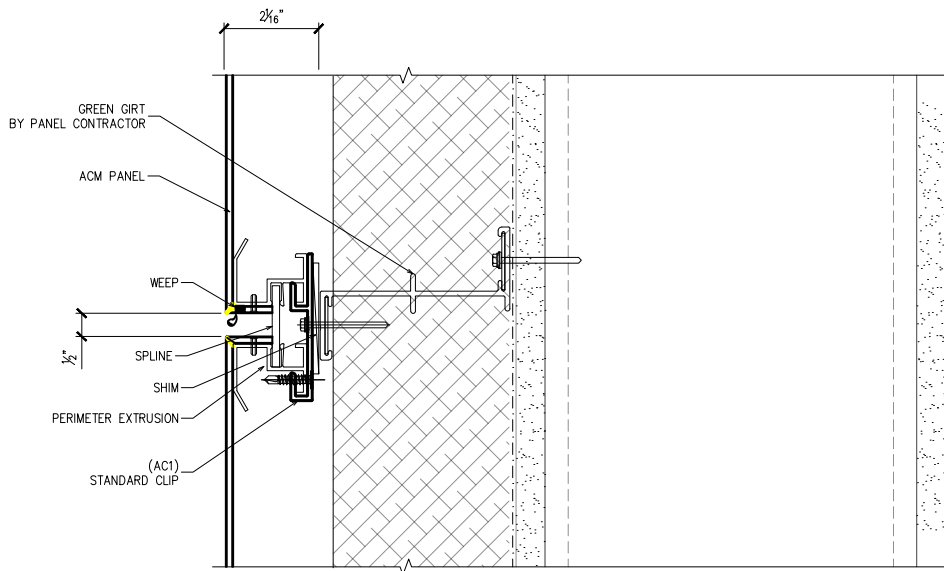
N30W22383 GREEN RD. WAUKESHA, WI 53186
 (Phone) 414-763-0069

ACM PANEL AT COPING

ACM w/ GREEN GIRT DETAILS

DETAIL No.

1



*DETAILS SHOWN ARE FOR PROMOTIONAL USE ONLY.
THESE DETAILS SHOULD NOT FOR ANY REASON BE
USED FOR CONSTRUCTION PURPOSES.

**MIDWEST
PANL**

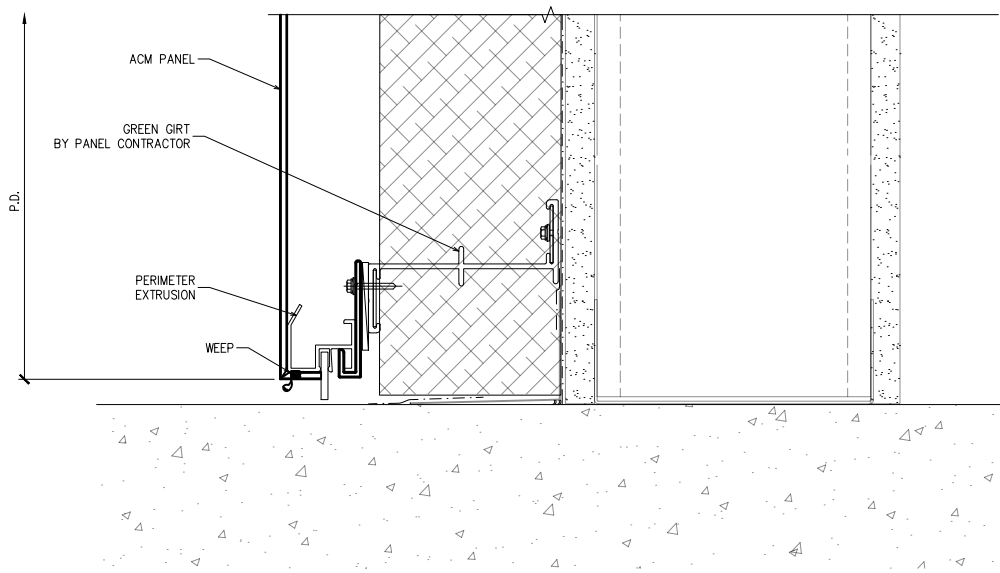
N30W22383 GREEN RD. WAUKESHA, WI 53186
(Phone) 414-763-0069

ACM HORZ. JOINT

ACM w/ GREEN GIRT DETAILS

DETAIL No.

2



*DETAILS SHOWN ARE FOR PROMOTIONAL USE ONLY.
THESE DETAILS SHOULD NOT FOR ANY REASON BE
USED FOR CONSTRUCTION PURPOSES.

**MIDWEST
PANL**

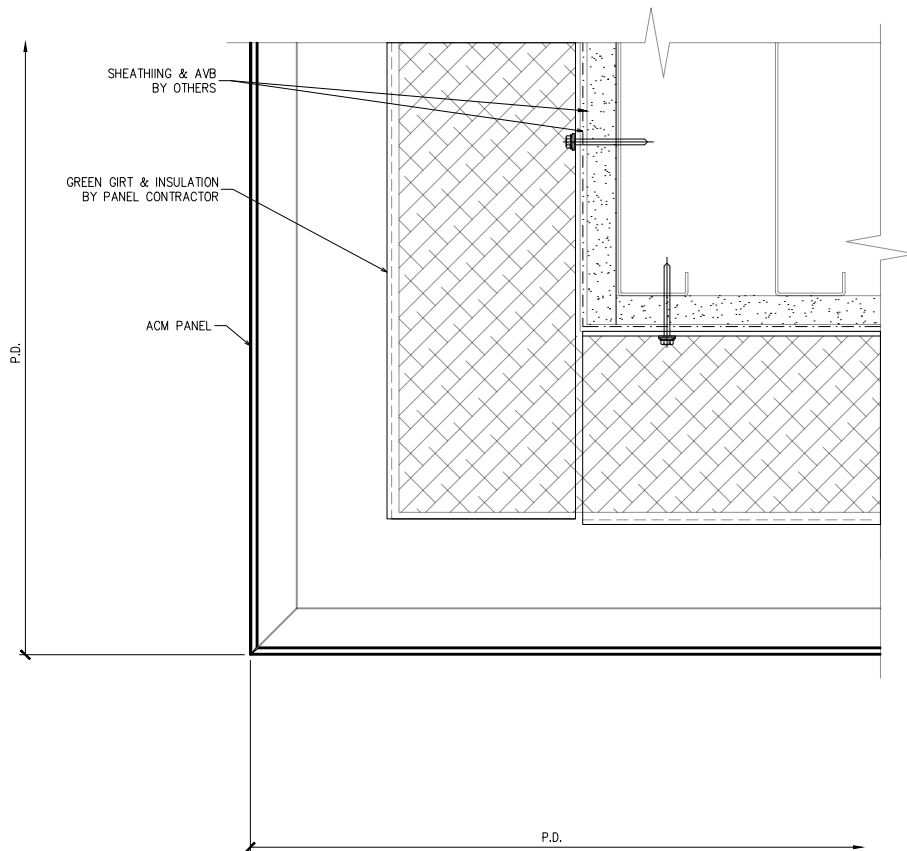
N30W22383 GREEN RD. WAUKESHA, WI 53186
(Phone) 414-763-0069

ACM BASE DETAIL

ACM w/ GREEN GIRT DETAILS

DETAIL No.

3



*DETAILS SHOWN ARE FOR PROMOTIONAL USE ONLY.
 THESE DETAILS SHOULD NOT FOR ANY REASON BE
 USED FOR CONSTRUCTION PURPOSES.

**MIDWEST
 PANEL**

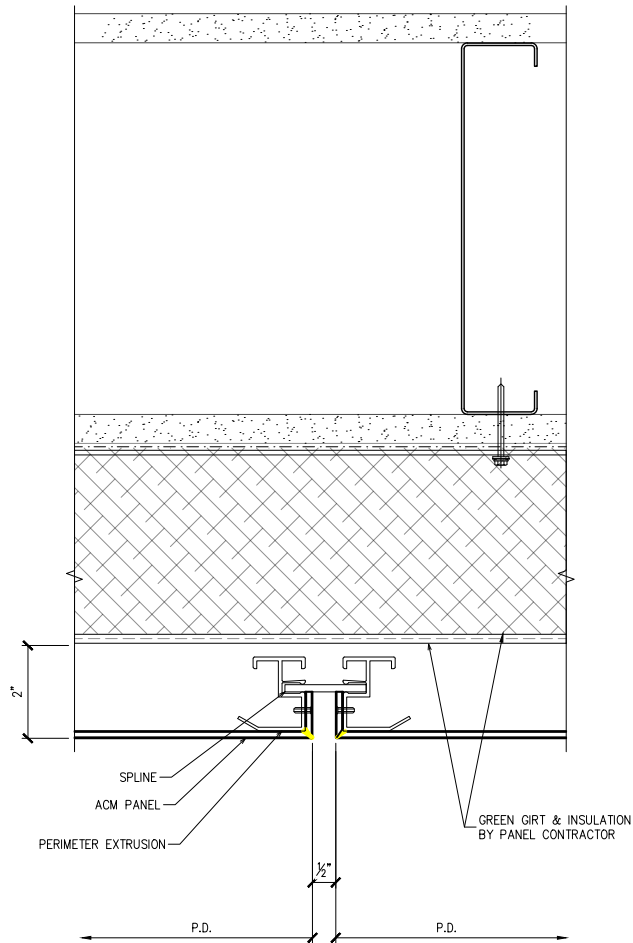
N30W22383 GREEN RD. WAUKESHA, WI 53186
 (Phone) 414-763-0069

OUTSIDE CORNER PANEL

ACM w/ GREEN GIRT DETAILS

DETAIL No.

4



*DETAILS SHOWN ARE FOR PROMOTIONAL USE ONLY.
 THESE DETAILS SHOULD NOT FOR ANY REASON BE
 USED FOR CONSTRUCTION PURPOSES.

**MIDWEST
 PANEL**

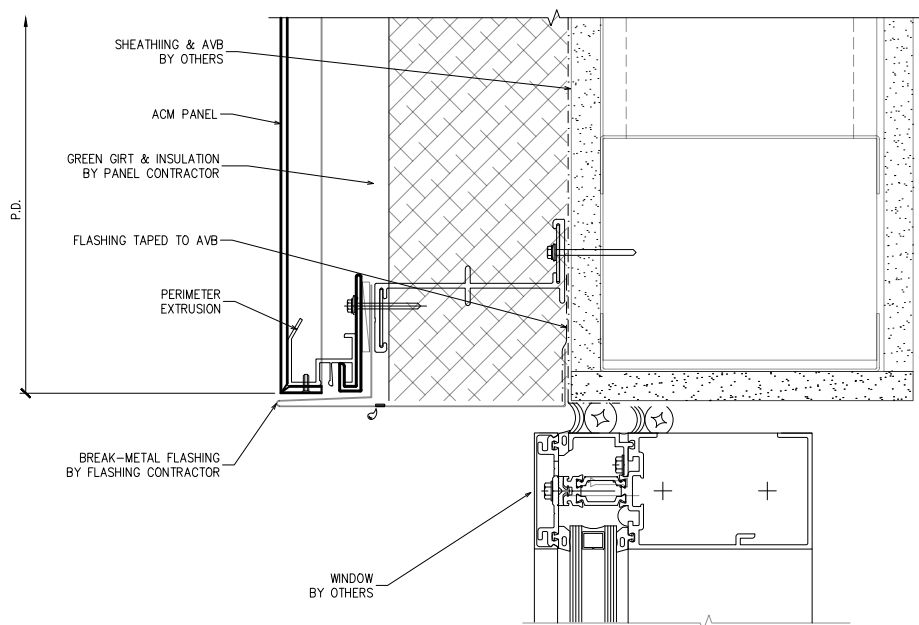
N30W22383 GREEN RD. WAUKESHA, WI 53186
 (Phone) 414-763-0069

VERTICAL PANEL JOINT

ACM w/ GREEN GIRT DETAILS

DETAIL No.

5



*DETAILS SHOWN ARE FOR PROMOTIONAL USE ONLY.
 THESE DETAILS SHOULD NOT FOR ANY REASON BE
 USED FOR CONSTRUCTION PURPOSES.

**MIDWEST
 PANEL**

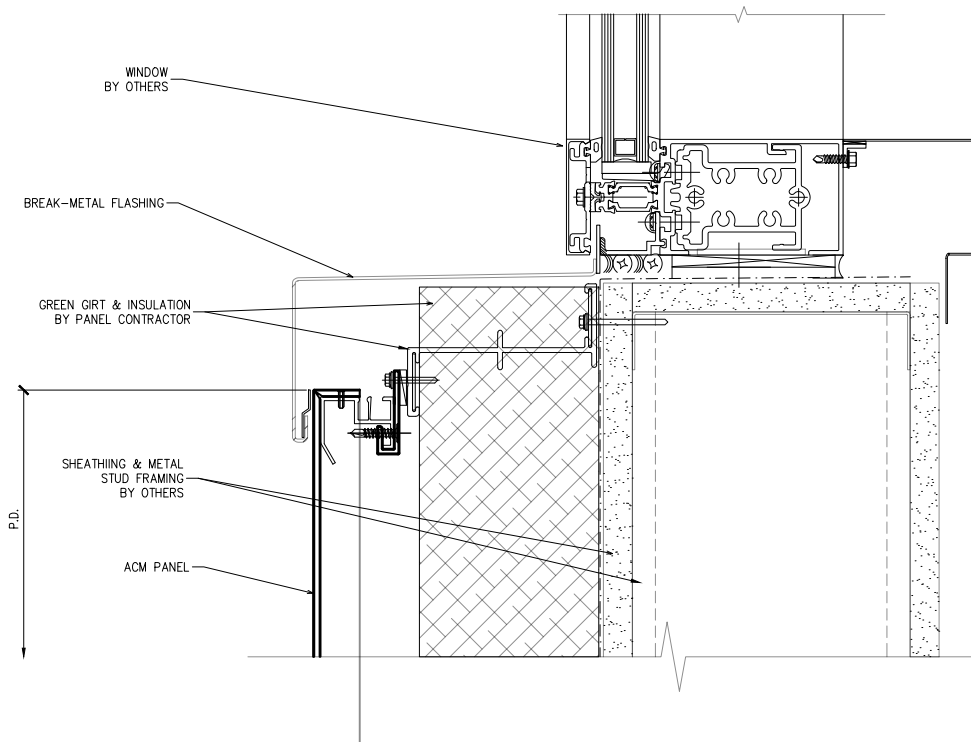
N30W22383 GREEN RD. WAUKESHA, WI 53186
 (Phone) 414-763-0069

ACM PANEL AT WINDOW HEAD

ACM w/ GREEN GIRT DETAILS

DETAIL No.

6



*DETAILS SHOWN ARE FOR PROMOTIONAL USE ONLY.
 THESE DETAILS SHOULD NOT FOR ANY REASON BE
 USED FOR CONSTRUCTION PURPOSES.

**MIDWEST
 PANEL**

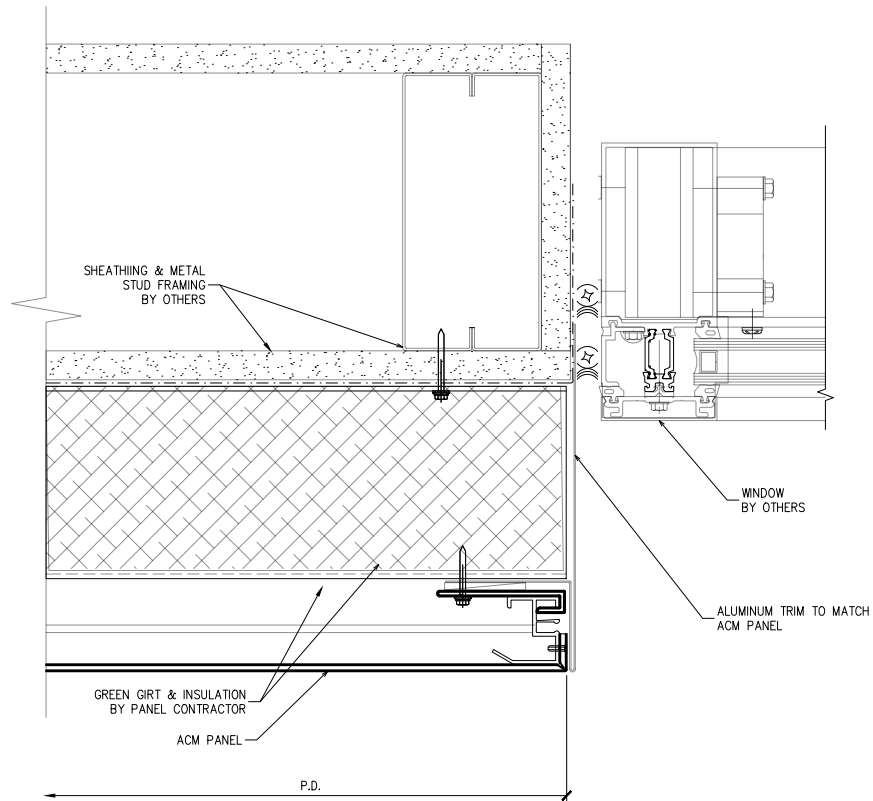
N30W22383 GREEN RD. WAUKESHA, WI 53186
 (Phone) 414-763-0069

ACM PANEL AT WINDOW SILL

ACM w/ GREEN GIRT DETAILS

DETAIL No.

7



*DETAILS SHOWN ARE FOR PROMOTIONAL USE ONLY.
 THESE DETAILS SHOULD NOT FOR ANY REASON BE
 USED FOR CONSTRUCTION PURPOSES.

**MIDWEST
 PANEL**

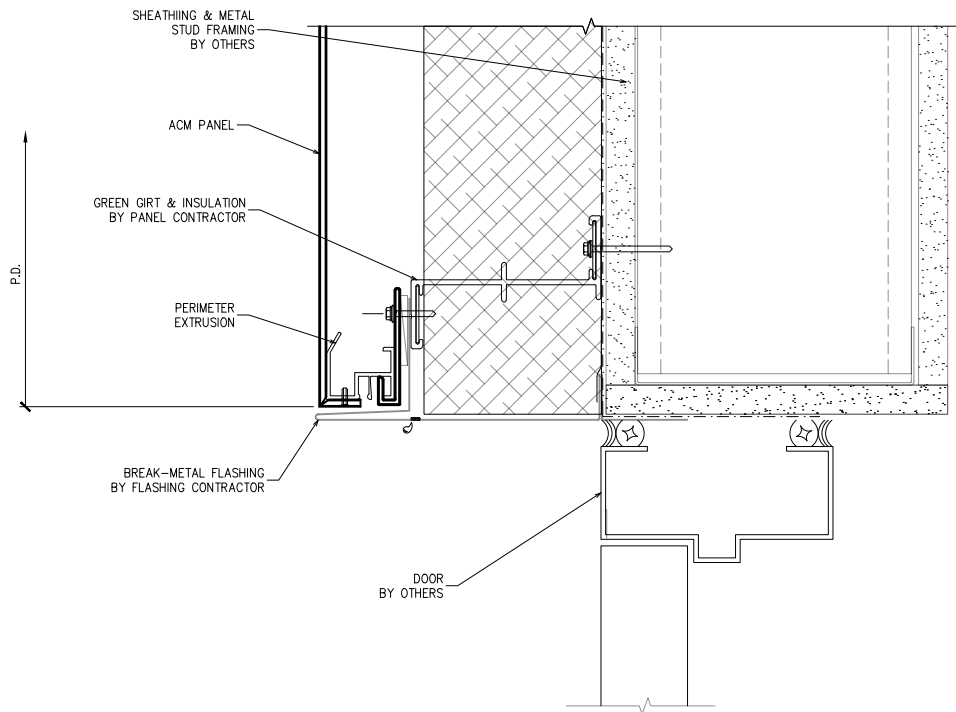
N30W22383 GREEN RD. WAUKESHA, WI 53186
 (Phone) 414-763-0069

ACM PANEL AT WINDOW JAMB

ACM w/ GREEN GIRT DETAILS

DETAIL No.

8



*DETAILS SHOWN ARE FOR PROMOTIONAL USE ONLY.
 THESE DETAILS SHOULD NOT FOR ANY REASON BE
 USED FOR CONSTRUCTION PURPOSES.

**MIDWEST
 PANEL**

N30W22383 GREEN RD. WAUKESHA, WI 53186
 (Phone) 414-763-0069

ACM PANEL AT DOOR HEAD

ACM w/ GREEN GIRT DETAILS

DETAIL No.

9



*DETAILS SHOWN ARE FOR PROMOTIONAL USE ONLY. THESE DETAILS SHOULD NOT FOR ANY REASON BE USED FOR CONSTRUCTION PURPOSES.

**MIDWEST
PANL**

N30W22383 GREEN RD. WAUKESHA, WI 53186
(Phone) 414-763-0069

ACM PANEL AT DOOR JAMB

ACM w/ GREEN GIRT DETAILS

DETAIL No.
10